

# CLUTCH - BALL BEARING MOUNTED

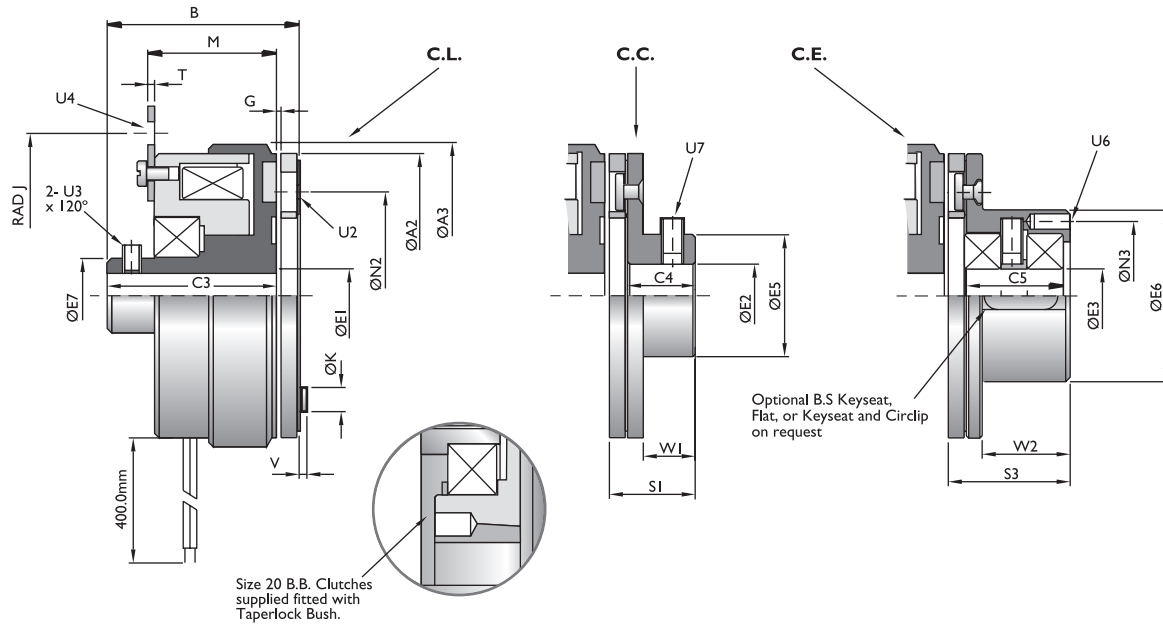
## TYPE 51



**SG Transmission**

Electromagnetic Clutch & Brake Solutions

SG Transmission, 20 Longfield Road, South Church Enterprise Park, Bishop Auckland, County Durham, UK, DL14 6XB  
Tel: +44 (0)1388 770 360 Fax: +44 (0)1388 779 197 sales@sgtransmission.com www.sgtransmission.com



| Size | Tro. TS (Nm) | Max P20 (w) | A2   | A3  | B  | C3 | C4 | C5   | Max E1 H7 | Max E2 H7 | E3 | E5 | E6 K6 | E7   | G   | J    | K   | M    | N2  | N3 | S1   | S3   | T   | U2     | U3 | U4        | U6   | U7 | V   | W1   | W2 |
|------|--------------|-------------|------|-----|----|----|----|------|-----------|-----------|----|----|-------|------|-----|------|-----|------|-----|----|------|------|-----|--------|----|-----------|------|----|-----|------|----|
| 05   | 3            | 10          | 50   | 54  | 33 | 30 | 12 | 12   | 8         | 15        | 7  | 24 | 30    | 10   | 0.2 | 28   | 6.1 | 26   | 38  | 24 | 15.3 | 18   | 1.5 | 3x3.1  | M4 | SLOT 5.10 | 3xM3 | M4 | 1.5 | 9.5  | 12 |
| 06   | 8            | 12          | 63   | 67  | 44 | 40 | 15 | 20   | 12        | 17        | 12 | 27 | 38    | 16.5 | 0.2 | 36   | 6.1 | 28.5 | 46  | 33 | 19   | 27   | 1.5 | 3x3.1  | M4 | SLOT 5.10 | 3xM4 | M5 | 1.5 | 11.5 | 20 |
| 07   | 8            | 12          | 66.5 | 68  | 40 | 36 | 15 | 20   | 12        | 17        | 12 | 27 | 38    | 16.5 | 0.2 | 40   | 6.1 | 28.5 | 46  | 33 | 19   | 27   | 1.5 | 3x3.1  | M5 | HOLE 5.10 | 3xM4 | M5 | 1.5 | 11.5 | 20 |
| 08   | 16           | 18          | 80   | 85  | 37 | 32 | 20 | 23.5 | 17        | 20        | 15 | 32 | 45    | 25   | 0.2 | 45   | 8   | 28   | 60  | 37 | 24.7 | 34   | 1.5 | 3x4.1  | M4 | SLOT 5.00 | 3xM4 | M5 | 2   | 16   | 25 |
| 10   | 32           | 25          | 100  | 107 | 55 | 49 | 25 | 32   | 25        | 30        | 20 | 42 | 55    | 35   | 0.2 | 58.5 | 9   | 39.1 | 76  | 47 | 30   | 41   | 2   | 3x5.1  | M6 | HOLE 5.50 | 4xM4 | M6 | 2   | 19   | 30 |
| 11   | 32           | 25          | 105  | 107 | 52 | 46 | 25 | 32   | 25        | 30        | 20 | 42 | 55    | 35   | 0.2 | 58.5 | 9   | 39.1 | 76  | 47 | 30   | 41   | 2   | 3x5.1  | M6 | HOLE 5.50 | 4xM4 | M6 | 2   | 19   | 30 |
| 13   | 65           | 32          | 125  | 133 | 59 | 52 | 30 | 42   | 28        | 35        | 25 | 49 | 64    | 40   | 0.3 | 71   | 10  | 43   | 95  | 52 | 37.2 | 53.5 | 2   | 3x6.1  | M6 | SLOT 6.10 | 4xM4 | M6 | 2.5 | 25   | 40 |
| 16   | 120          | 45          | 160  | 170 | 71 | 62 | 38 | 54   | 40        | 40        | 30 | 65 | 75    | 60   | 0.3 | 92   | 13  | 52.5 | 120 | 62 | 48   | 66   | 2.5 | 3x8.2  | M8 | SLOT 8.10 | 6xM5 | M8 | 9   | 30   | 50 |
| 20   | 240          | 50          | 200  | 213 | 53 | 43 | 40 | 67   | 40        | 60        | 40 | 83 | 90    | 80   | 0.5 | 127  | 16  | 52.5 | 158 | 75 | 50   | 80.9 | 3   | 3x10.2 | -  | SLOT 9.50 | 4xM6 | M8 | 11  | 30.5 | 60 |

### Keyways to B.S. 4235 • Insulation Class B

SIZE      FIELD MOUNTING      ARMATURE TYPE      ARMATURE BORE      ROTOR BORE      D.C. VOLTAGE

**10 - CLUTCH - B.B. - C.E. - 20 - 20 - 24**  
**Voltages 12 or 24v. DC**