

# TOOTHED BRAKE

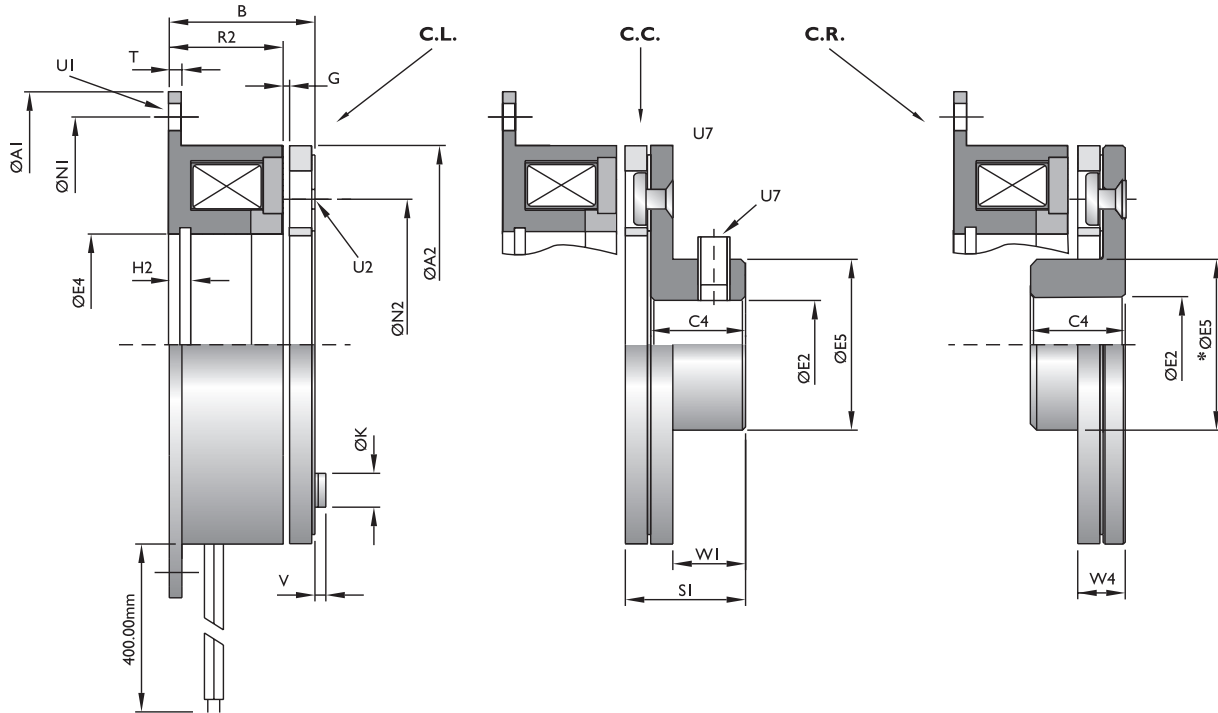
## TYPE 72



**SG Transmission**

Electromagnetic Clutch & Brake Solutions

SG Transmission, 20 Longfield Road, South Church Enterprise Park, Bishop Auckland, County Durham, UK, DL14 6XB  
Tel: +44 (0)1388 770 360 Fax: +44 (0)1388 779 197 sales@sgtransmission.com www.sgtransmission.com



Size	Tro. TS (Nm)	Max P20 (w)	A1 h9	A2	B	C4	Max E2 H7	E4 H8	E5	G	H2	K	N1	N2	R2	S1	T	U1 (x4)	U2 (x3)	U7	V	W1	W4
<b>TB06</b>	21	15	80	63	27.1	15	17	35	27	0.3	3.5	7	72	46	20	21.9	2	4.5	3.1	M5	1.5	11.5	10.4
<b>TB08</b>	45	20	100	80	32	20	20	42	32	0.3	4.3	8.5	90	60	24.4	27.2	3	5.3	4.1	M5	2	16	11.3
<b>TB10</b>	90	31	125	100	37	25	30	52	42	0.3	5	9.5	112	76	27.5	33.5	3	6.5	5.1	M6	2	19	13.5
<b>TB12</b>	195	37	150	125	39.8	30	35	62	49	3	5.5	10.5	137	95	27.5	41.4	3.5	6.5	6.3	M6	3	24	17.4

Keyways to B.S. 4235 • Circlip Grooves to B.S. 3673 • Insulation Class B